

## IBERDRILL Tischbohrmaschine EKM - 25 (1125-2100026)



**Control type**  
konventionell

**Construction year**  
NEU

**Machine no.**  
1125-2100026

**Make**  
IBERDRILL

Bench drilling machine with V-belt drive and moveable intermediate table

Max. thread cutting capacity for steel (St 60) M 18

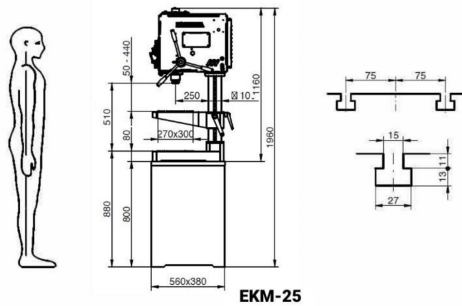
- V-belt drive with 5x stepped pulleys and quick-release device
- 10 fixed speeds
- manual feed via grip cross
- Scale with adjustable drilling depth
- automatic tool ejector
- Movable intermediate table, fixed drill head
- Machine base plate with machined workpiece support surface
- integrated machine light
- EMERGENCY STOP button
- Right/left rotation switch
- High/low speed switch
- Chip protection device with microswitch monitoring
- thermal magnetic motor protection

- Switching electronics in the low-voltage range
- Color signal gray (RAL 7004) and graphite black (RAL 9011)
- CE conformity and marking
- Documentation, operation and maintenance manual

## Machine attributes

bore capacity in steel (diameter):	25 mm
throat:	- mm
bore stroke:	120 mm
:	MK 3
:	10
:	manuell 245 ? 4.100 U/min
:	manuell über Griffkreuz
:	300 x 270 mm
:	100 mm
:	250 mm
:	0,71 / 1,35 kW
:	0,23 t
:	700 x 500 x 1400 mm

## Machine images



**EKM-25**